

PJSC "Odesa Factory of Rubber Technical Products"

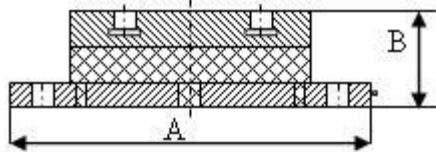
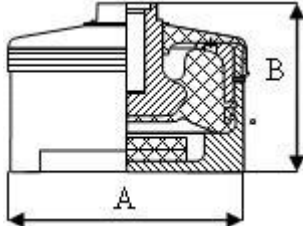
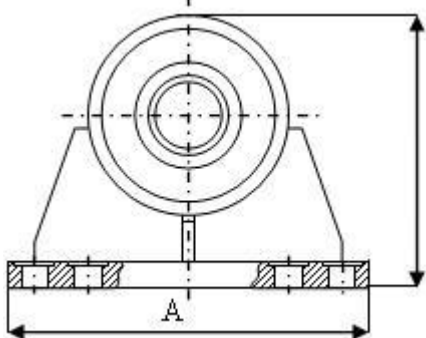
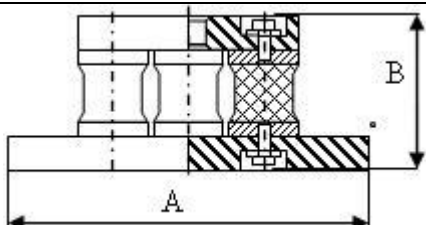
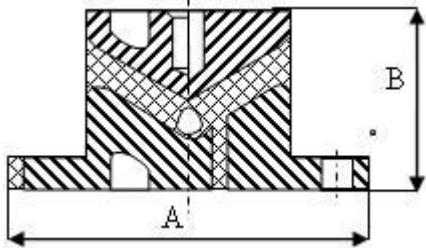
Price list

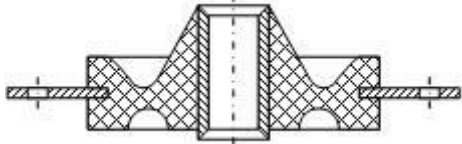
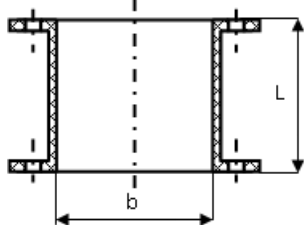
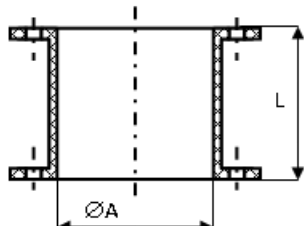
65102, Nikolaevskaya Road, 124, Odessa, Tel. 093-521-67-73, 073-200-99-21
097-421-98-39, 098-773-91-25

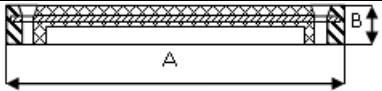

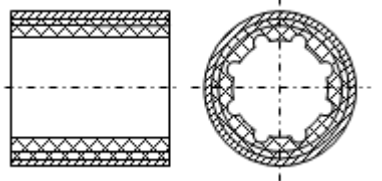
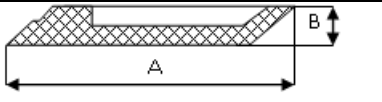
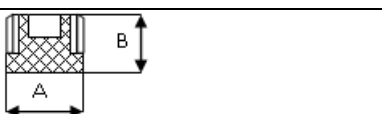
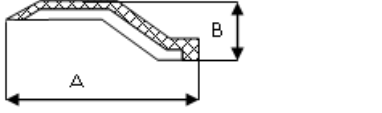
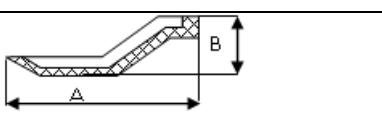
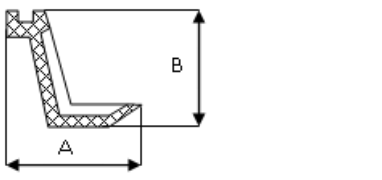
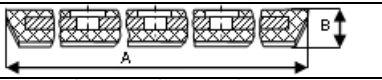

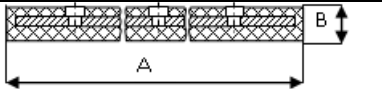
www.ozrti.com
E-mail: ozrti@ukr.net

as of November 25, 2025

Molded products for shipbuilding and ship repair

No	Product Name	Sketch	A (mm)	B (mm)	Weight (kg)	Price (USD)
1	Shock Absorber ADP-950		350	72	11.0	negotiable
2	Shock Absorber APS-2X		130	98	5.0	negotiable
3	Shock Absorber APS-5X		165	110	9.29	negotiable
4	Welded Cylindrical Shock Absorber AC-2300		350	258	36.5	negotiable
5	Shock Absorber AKM-400		190	90	6.9	negotiable
6	Shock Absorber ADPU-900		300	110	13.8	negotiable

7	Shock Absorber AP					negotiable
8	Pipe 949.03.112-02 80 60x90		60	90	0.48	9.12
9	Pipe 949.03.112-04 100 60x140		60	140	0.59	11.28
10	Pipe 949.03.112-06 125 80x160		80	160	0.72	11.76
11	Pipe 949.03.112-08 125 100x130		100	130	0.65	13.00
12	Pipe 949.03.112-10 150 100x200		100	200	0.76	15.72
13	Pipe 949.03.112-12 175 120x210		120	210	0.97	18.72
14	Pipe 949.03.112-14 200 120x280		120	280	1.2	19.80
15	Pipe 949.03.112-16 200 150x220		150	220	1.1	20.52
16	Pipe 949.03.110-02 Ø 80 mm		80	80	0.38	9.72
17	Pipe 949.03.110-04 Ø 100 mm		100	80	0.42	9.96
18	Pipe 949.03.110-06 Ø 125 mm		125	80	0.63	10.20
19	Pipe 949.03.110-08 Ø 150 mm		150	80	0.53	11.52
20	Pipe 949.03.110-10 Ø 175 mm		175	80	0.70	14.52
21	Pipe 949.03.110-12 Ø 200 mm		200	100	1.1	16.80
22	Pipe 949.03.110-14 Ø 250 mm		250	100	1.2	21.36
23	Pipe 949.03.110-16		300	100	1.3	21.60

	Ø 300 mm					
24	Baluster Storm-Trap 480x116x40		480	40	2.7	16.20
25	Baluster Storm-Trap 435x115x78		435	78		16.20
26	Rubber-Metal Bearings (marine)					negotiable
27	Short 266- 99.725 200x67x42		200	42	0.8	5.40
28	Short 595- 266.31 150x67x42		67	42	0.4	2.74
29	Corner Insert 266-99.726.1 (left) 220x170x140		220	140	1.5	11.21
30	Corner Insert 266-99.726.2 (right) 220x170x140		220	140	1.5	11.21
31	Corner Insert 595-266-30.1 215x150x197		215	197	2.3	17.05
32	Corner Insert 595-266-30.2 215x150x197					
33	Insert 8269-01 600x82x28		600	28	5.0	negotiable
34	Insert 8267-01 500x59.6x21.6		500	21.6	1.7	negotiable
35	Insert 8266-01 470x60x21.6		470	21.6	1.53	negotiable